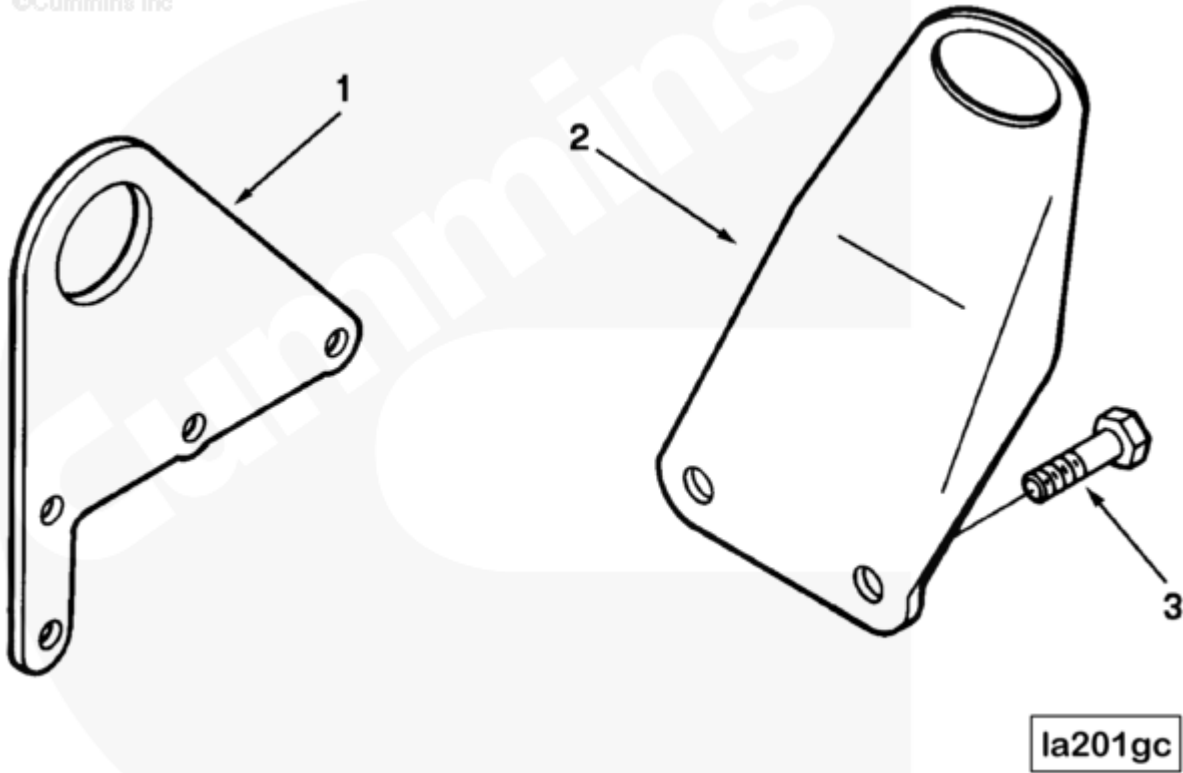




Parts Catalog - Option Detail

Electronic Parts Catalog - Option Detail				
Option	Group	Graphic	Film Card	Date
LA2048-08	17.06	la201gc	II	14-JUN-12
Engines	ISM CM570, ISM CM570/870, ISM CM875, ISM CM876, ISM CM876 E, ISM11 CM876 M103, ISM11 CM876 SN, M11 CELECT, M11 CELECT PLUS, M11 MECHANICAL, QSM11 CM570, QSM11 CM876			

©Cummins Inc



[SMALL](#) | [MEDIUM](#) | [LARGE](#)

Cart	Ref No	Part Number	Part Description	Required	Remarks
View My Cart					
		LA2048-08	Lifting Bracket		MR - BRACKET, LIFTING...(More)
					Engine Family: M11
					Front Lifting Bracket Loc:
					Front of Intake Manifold or
					Aftercooler
					Rear Lifting Bracket Loc:
					Rear of Cylinder Head

					Int Manifold Air Inlet Loc:
					Side "Low Profile"
					Rear Brkt Vertical Position
					from Crank C/L: 706.6mm
					(27.82 in.)
					Front Brkt Vertical Position
					from Crank C/L: 717.5mm
					(28.25 in.)
					Front Lifting Brkt Mtg
					Included: In TB Dependent
					Option
<input type="checkbox"/>	1	3883586	Lifting Bracket	1	
<input type="checkbox"/>	2	4298574	Lifting Bracket	1	
<input type="checkbox"/>	3	3093939	Hexagon Flange Head Cap Screw	2	M12 x 1.75 x 35
		4906823	Clamping Plate	1	Item not shown on art.